



\* Actual product appearance may differ from the above simulated scene.

# Pro:Centric<sup>®</sup> Smart Hospitality 4K UHD TV

## US670H Series

Commercial Lite	Pro:Centric Value	Pro:Centric Direct	<b>Pro:Centric Smart</b>
-----------------	-------------------	--------------------	--------------------------

The US670H Series is a premium 4K Ultra HD Smart TV that supports Pro:Centric Direct, LG's HTML application that offers customizable tools for LG's system Integrator partners to create unique, interactive application experiences. The US670H Series also supports Smart Share, Screen Share, Pro:Idiom<sup>®</sup> and embedded *b*-LAN<sup>™</sup>.

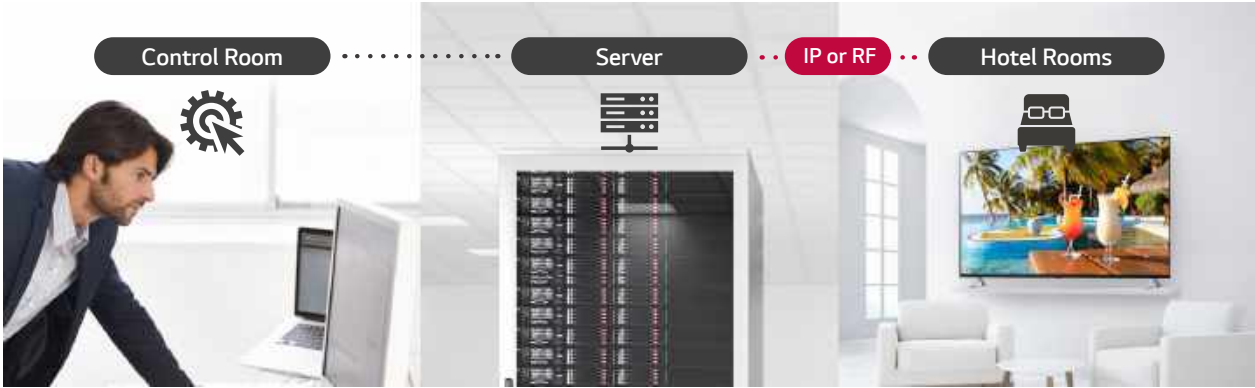
# Pro:Centric Smart Hospitality 4K UHD TV

## US670H SERIES

### FEATURE HIGHLIGHTS

#### Pro:Centric Direct

LG's Pro:Centric Direct application enhances the in-room television experience for hotel guests. Guests can locate and enjoy available TV channels or access a wide range of over-the-top Smart apps, check on the daily weather and review available hotel amenities—all from the comfort of their room. In addition, the application provides the capability for IoT (Internet of Things)-based control of devices\* equipped in next-generation hotel rooms.



\* Some devices may have limited compatibility with IoT functions.

#### More Innovative LG webOS 5.0

Explore the latest LG Smart TV features that help extend the usability of your TV. Our newly added Mood Display enables the TV to appear as a customized clock, and Gallery mode creates the appearance of framed artwork that you can customize to reflect your space and rhythm of life.



#### Pro:Idiom

Digital Rights Management (DRM) technology provides access to premium content to help assure rapid and broad deployment of HDTV and other high-value digital content.



Images shown are for illustrative purposes only.

# Pro:Centric Smart Hospitality 4K UHD TV

## US670H SERIES

### FEATURE HIGHLIGHTS

#### Gallery Mode

LG's Gallery Mode can turn the TV into a beautiful artwork display or choice photograph in a guest room or enhance the most elegant hospitality public spaces.



#### SoftAP

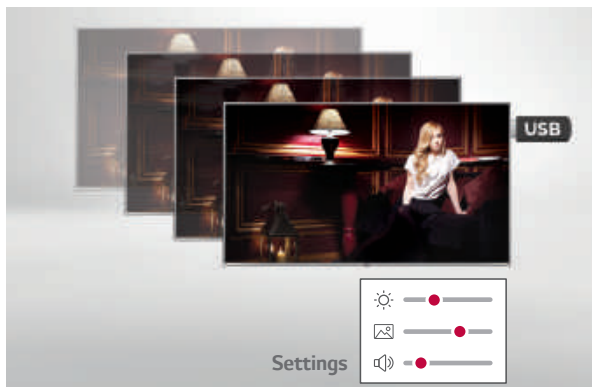
Software-enabled Access Point (SoftAP) is a "virtual" Wi-Fi feature that uses the TV as a wireless hotspot, enabling guests to connect their own devices to the SoftAP. It supports Bridge Mode, allowing administrators to manage in-room SoftAP information such as signal level, SoftAP passwords, and more.



\* SoftAP should be setup in the installation menu after the TV is turned on. Smart Mirroring may not be operated at the same time.

#### USB Data Cloning

For fast and easy configuration of multiple TVs, create a Master TV Setup on one TV and then export the setup "clone" file to a USB memory device. Use the USB device to easily import the setup to other TVs of the same model.



#### Ultra HD (4K) Resolution

UHD delivers a resolution four times higher than that of Full HD, creating a more realistic and immersive television viewing experience. The stunning 8.3 million pixels create flawless images with incredibly vivid detail.



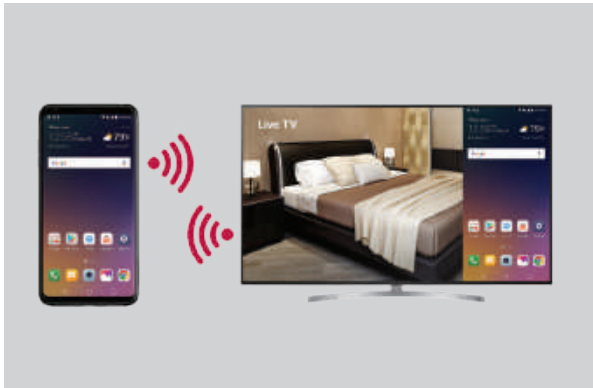
# Pro:Centric Smart Hospitality 4K UHD TV

## US670H SERIES

### FEATURE HIGHLIGHTS

#### Screen Share

Connect a smart phone or a laptop PC to the TV via a wireless connection. The TV will display the device's screen so guests can view and share their content and memories together.



#### Bluetooth Sound Sync

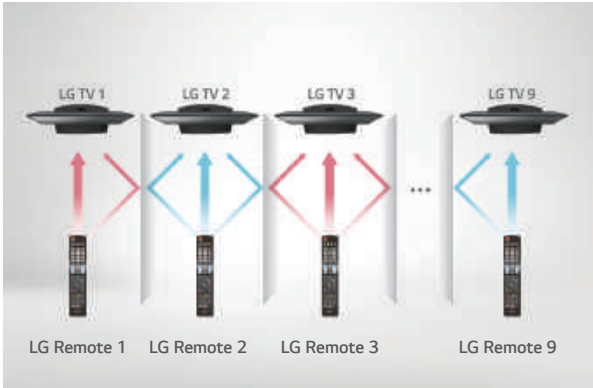
Bluetooth Sound Sync enables users to listen to music playing on a mobile device\* through the TV's speakers via Bluetooth connection.



\* Bluetooth Sound Sync supports Android (above v 4.4 KitKat) / iOS-based mobile devices.

#### Multi-code IR

Multi-code IR\* function eliminates any remote control signal interference between TVs in rooms with multiple TVs installed.



\* Requires optional Multi-code IR remote.

#### External Speaker Out

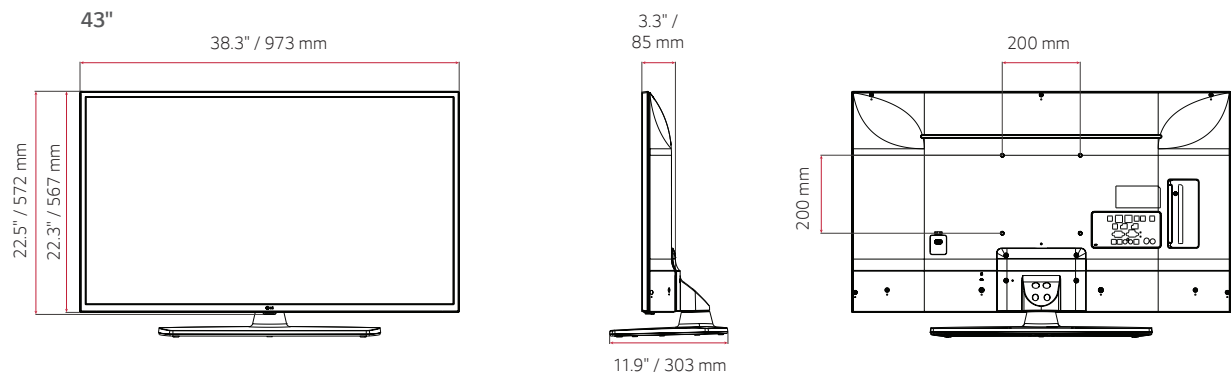
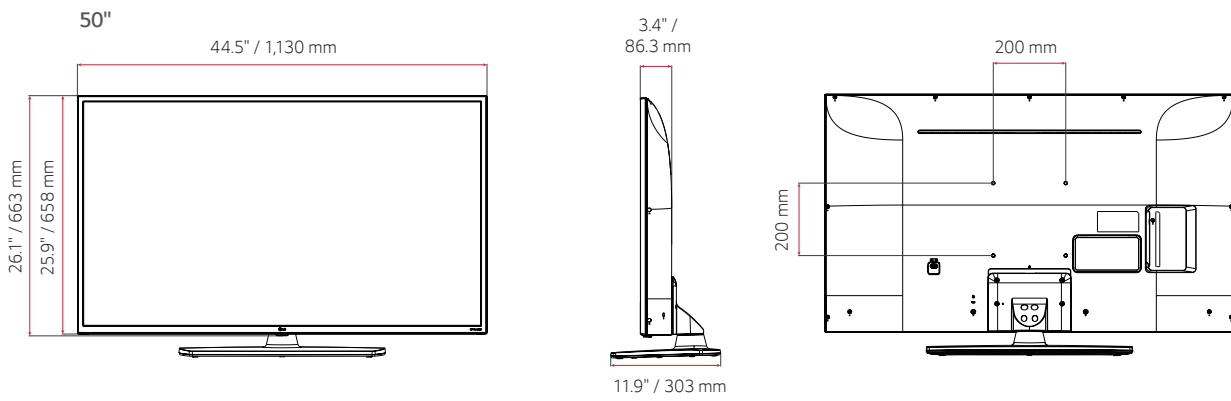
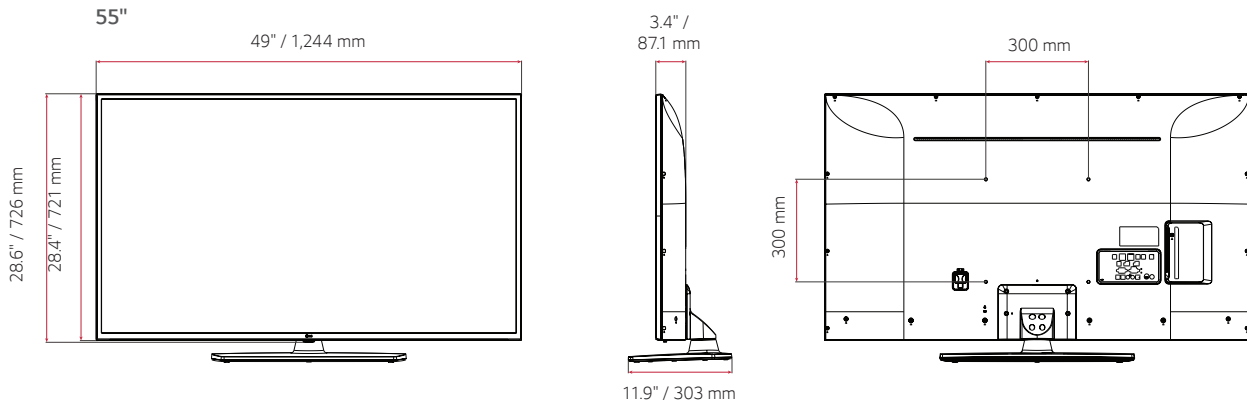
Enhance the entertainment experience with an additional speaker (sold separately). Guests can listen to the TV audio from other rooms within their suite, not only the room where the TV is located.



Images shown are for illustrative purposes only.

Pro:Centric Smart Hospitality 4K UHD TV  
**US670H SERIES**

**DIMENSIONS**



\* Dimensions and jack panels may differ from the above image. Please contact your LG sales team to verify before ordering.

# Pro:Centric Smart Hospitality 4K UHD TV

## US670H SERIES

### SPECIFICATIONS

		55US670H9UA	50US670H9UA	43US670H9UA
DISPLAY	Diagonal Size	55"	50"	43"
	Resolution	3,840 x 2,160 (UHD)	3,840 x 2,160 (UHD)	3,840 x 2,160 (UHD)
	Backlight Unit Type	Direct	Direct	Edge
	Display Type	IPS	LCD	Nano IPS
	Brightness	400 nits	400 nits	400 nits
	Dynamic Contrast Ratio	1,000,000:1	1,000,000:1	1,000,000:1
	Refresh Rate	60 Hz	60 Hz	60 Hz
	Response Time (G to G)	8 ms	8 ms	8 ms
	Life Span	30,000 hours	30,000 hours	30,000 hours
VIDEO	HDR_HDR 10 Pro	Yes	Yes	Yes
	HDR_HLG	Yes	Yes	Yes
	UHD Contents Streaming Support	USB / IP / HDMI / RF	USB / IP / HDMI / RF	USB / IP / HDMI / RF
	Tru 4K Upscaler	Yes	Yes	Yes
BROADCASTING	Digital (Terrestrial, Cable, Satellite)	ATSC (Clear QAM)	ATSC (Clear QAM)	ATSC (Clear QAM)
	Analog (NTSC / SECAM / PAL)	NTSC	NTSC	NTSC
	MPEG-2 / MPEG-4 H.264 Decoding	Yes	Yes	Yes
	Closed Caption	Yes	Yes	Yes
AUDIO	Speaker (Sound Output)	10 W + 10 W	10 W + 10 W	10 W + 10 W
	Speaker System	2.0 ch	2.0 ch	2.0 ch
	AI Sound	Yes	Yes	Yes
	One Touch Sound Tuning	Yes	Yes	Yes
	LG Sound Sync	Optical/Bluetooth Wireless	Optical/Bluetooth Wireless	Optical/Bluetooth Wireless
HOSPITALITY	Pro:Centric Data Streaming (IP & RF)	Yes	Yes	Yes
	HCAP (GEM / FLASH / HTML)	GEM / HTML5	GEM / HTML5	GEM / HTML5
	Pro:Centric IP Return Path	Yes	Yes	Yes
	Multicast / Unicast Ready	Yes / Yes	Yes / Yes	Yes / Yes
	Pro:Centric webRTC (Real Time Communication)	Yes with Javascript	Yes with Javascript	Yes with Javascript
	Pro:Centric Direct (HTML)	Yes	Yes	Yes
	Pro:Centric Application (Java)	Yes	Yes	Yes
	Quick Menu Version	4.0	4.0	4.0
Pro:Idiom DRM (S/W, Mobile, Lite)	Yes	Yes	Yes	
SMART FEATURES	Gallery Mode	Yes	Yes	Yes
	Web Browser	Yes	Yes	Yes
	CP App	Yes	Yes	Yes
	Magic Motion Remote (MMR) Compatibility	Yes	Yes	Yes
	SW Clock (World Clock / Alarm)	Yes	Yes	Yes
	SoftAP	Yes	Yes	Yes
	Wi-Fi	Yes	Yes	Yes
	Screen Share (Miracast / WiDi)	Yes	Yes	Yes
	Smart Share (DLNA)	Yes	Yes	Yes
	LG Connect (LG TV Plus App)	Yes	Yes	Yes
	Dial	Yes	Yes	Yes
	Beacon	Yes	Yes	Yes
	Bluetooth Sound Sync	Yes	Yes	Yes
	Mobile Connection Overlay	Yes	Yes	Yes

# Pro:Centric Smart Hospitality 4K UHD TV

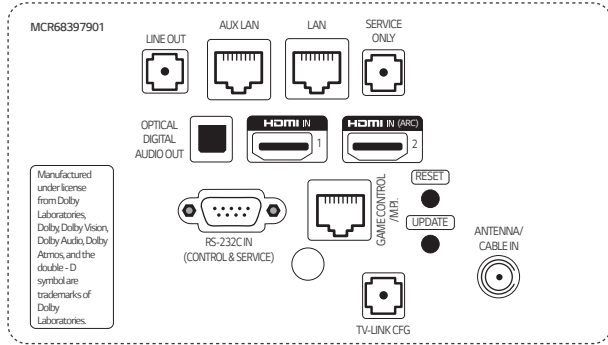
## US670H SERIES

### SPECIFICATIONS

	55US670H9UA	50US670H9UA	43US670H9UA	
<b>OTHER FEATURES</b>	First Use Wizard	Yes	Yes	Yes
	USB Data Cloning	Yes	Yes	Yes
	Wake On RF	Yes	Yes	Yes
	WOL	Yes	Yes	Yes
	SNMP	Yes	Yes	Yes
	Diagnostics (IP Remote)	Yes	Yes	Yes
	SI Compatible	Yes (MPI, RS-232C)	Yes (MPI, RS-232C)	Yes (MPI, RS-232C)
	Simplink (HDMI-CEC) plus CEC-HTNG	Yes (1.4)	Yes (1.4)	Yes (1.4)
	IR Out	Yes (MPI, RS-232C)	Yes (MPI, RS-232C)	Yes (MPI, RS-232C)
	Multi-code IR	Yes	Yes	Yes
	Installer Menu	Yes	Yes	Yes
	Welcome Screen (Boot Logo)	Yes	Yes	Yes
	Insert Image	Yes	Yes	Yes
	One Channel Map (LCM)	Yes	Yes	Yes
	Instant On	Yes	Yes	Yes
	V-Lan Tag	Yes	Yes	Yes
RJP (Remote Jack Pack) Compatibility	HDMI (CEC)	HDMI (CEC)	HDMI (CEC)	
Auto Off / Sleep Timer	Yes / Yes	Yes / Yes	Yes / Yes	
Embedded b-LAN	Yes	Yes	Yes	
<b>INTERFACES</b>	HDMI In	3 (2.0)	3 (2.0)	3 (2.0)
	USB In	2 (2.0)	2 (2.0)	2 (2.0)
	Antenna / Cable In (RF)	1 (Dual b-LAN)	1 (Dual b-LAN)	1 (Dual b-LAN)
	Optical Digital Audio Out	1	1	1
	RS-232C (Control & Service)	3.5mm Stereo Jack	D-Sub 9 pin	D-Sub 9 pin
	RJ45	2 Ethernet, Aux	2 Ethernet, Aux	2 Ethernet, Aux
	Line Out	3.5mm Stereo Jack	3.5mm Stereo Jack	3.5mm Stereo Jack
	TV Link Configuration (for b-LAN)	3.5mm Stereo Jack	3.5mm Stereo Jack	3.5mm Stereo Jack
	MPI Port (RJ12)	1	1	1
	Service Only	3.5mm Stereo Jack	3.5mm Stereo Jack	3.5mm Stereo Jack
	<b>MECHANICALS</b>	Stand Type	1 Pole Fixed Stand	1 Pole Fixed Stand
Front Color		Ceramic Black	Ceramic Black	Ceramic Black
VESA Compatable		300 x 300	200 x 200	200 x 200
Lock Down Plate		Yes	Yes	Yes
Chromecast Anti-theft Cover		Yes (Optional)	Yes (Optional)	Yes (Optional)
Weight without Stand		31.5 lbs / 14.3 kg	25.3 lbs / 11.5 kg	17.6 lbs / 8 kg
Weight with Stand		38.5 lbs / 17.5 kg	32 lbs / 14.5 kg	24.7 lbs / 11.2 kg
Shipping Weight		51.1 lbs / 23.2 kg	40.3 lbs / 18.3 kg	30.9 lbs / 14 kg
Dimensions without Stand (W x H x D)		49" x 28.6" x 3.4" 1,244 x 726 x 87.1 mm	44.5" x 26.1" x 3.4" 1,130 x 663 x 86.3 mm	38.3" x 22.5" x 3.3" 973 x 572 x 85 mm
Dimensions with Stand (W x H x D)		49" x 30.7" x 11.9" 1,244 x 780 x 303 mm	44.5" x 28.4" x 11.9" 1,130 x 722 x 303 mm	38.3" x 24.6" x 11.9" 973 x 626 x 303 mm
Shipping Dimensions (W x H x D)	55.5" x 33.9" x 8.1" 1,410 x 860 x 207 mm	52.2" x 31.9" x 7.9" 1,325 x 810 x 200 mm	45.2" x 26" x 7.5" 1,147 x 660 x 190 mm	
Bezel Width (L / R / T / B): On Bezel	17 / 17 / 17 / 23.8 mm	17 / 17 / 17 / 23.8 mm	15.5 / 15.5 / 15.5 / 21.7 mm	
Bezel Width (L / R / T / B): Off Bezel	15.5 / 15.5 / 15.5 / 22.3 mm	15.5 / 15.5 / 15.5 / 22.3 mm	14 / 14 / 14 / 20.2 mm	
<b>POWER</b>	Power Supply (Voltage, Hz)	120 Vac - 50/60 Hz	120 Vac - 50/60 Hz	120 Vac - 50/60 Hz
	Max Power Consumption	160 W	140 W	120 W
	Typical Power Consumption	72.1 W	66 W	51 W
	Standby Power Consumption	Less than 0.5 W	Less than 0.5 W	Less than 0.5 W
<b>WARRANTY &amp; OTHER</b>	Standards & Certification	UL & FCC	UL & FCC	UL & FCC
	UPC Code	195174023228	195174023266	195174023211
	Warranty	Two-Year Limited Warranty	Two-Year Limited Warranty	Two-Year Limited Warranty
	Remote Type	S-Con / MMR (Optional)	S-Con / MMR (Optional)	S-Con / MMR (Optional)
Power Cable	1.8 m, Angle Type	1.8 m, Angle Type	1.8 m, Angle Type	

# CONNECTIVITY

## Rear



## Side



Design and specifications are subject to change without notice. Please contact your LG sales team to verify before ordering.



- 🌐 [www.lg.com/us/business/commercial-display](http://www.lg.com/us/business/commercial-display)
- 🐦 [www.twitter.com/LGCommDisplays](https://twitter.com/LGCommDisplays)
- 📘 [www.facebook.com/LGcommercialdisplays](https://www.facebook.com/LGcommercialdisplays)
- 🌐 [www.linkedin.com/company/lg-commercial-displays-usa](https://www.linkedin.com/company/lg-commercial-displays-usa)
- 📺 [www.youtube.com/lgcommercialdisplayusa](https://www.youtube.com/lgcommercialdisplayusa)
- ☎️ 800-228-1236 | Hospitality Sales

LG may make changes to specifications and product descriptions without notice.  
 © Copyright 2020 LG Electronics USA, Inc., 2000 Millbrook Dr., Lincolnshire, IL 60069, USA. All rights reserved. LG and the LG logo are registered trademarks of LG Corp. All other trademarks are the property of their respective owners. Prices and products may vary by dealer. Prices, designs, features and specifications are subject to change without notice. All screen images are simulated. Pro:Centric and the "Pro:Centric" logo are registered trademarks of LG Electronics Inc. Pro:Idiom is a registered trademark of Zenith Electronics LLC.  
 LG\_SPEC\_SHEET\_US670H\_1020SD\_LR

